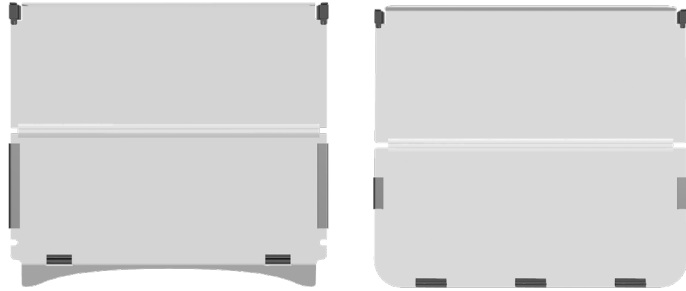




WINDSHIELDS™

6100 / 6200 SERIES

MADE IN THE
★USA★
WITH PRIDE



AVAILABLE FOR:
CLUB CAR® DS® & PRECEDENT®
E-Z-GO® TXT® & RXV®
YAMAHA® DRIVE® & G14-19, 22

6100 / 6200 SERIES WINDSHIELDS

TABLE OF CONTENTS:

- Step 1** - Install Extrusions
- Step 2** - Install Windshield
- Step 3** - Install Upper Latches

PREPARE CAR FOR INSTALLATION:

- Remove the following:
- Factory Windshield
 - Rubber Grommets & Hardware (if present)

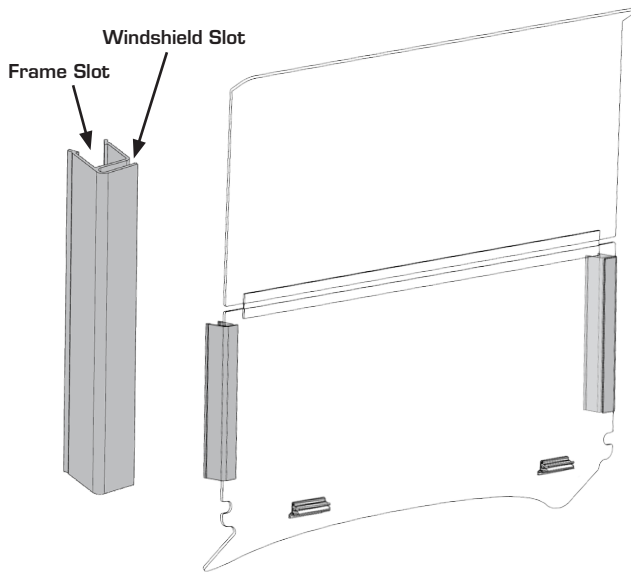
NOTE: Save original hardware for later use.

IMPORTANT: Do not fully tighten hardware until instructed.
Read through all instructions before beginning installation.

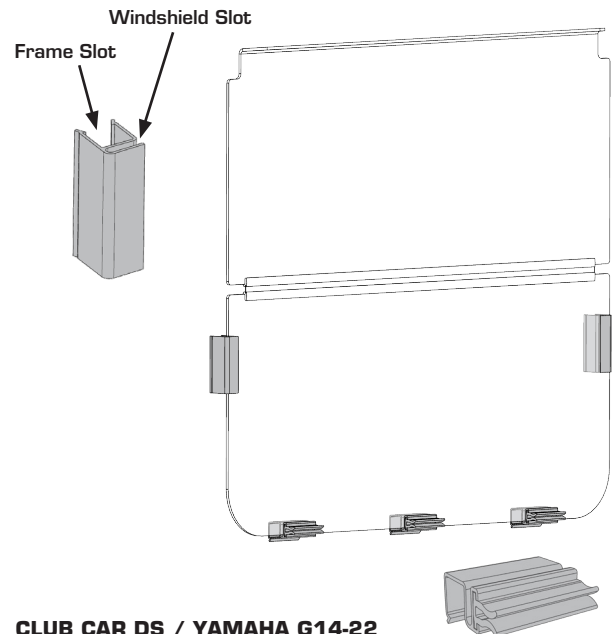
STEP 1 INSTALL EXTRUSIONS

Mount Extrusions to Windshield. Peel Protective Blue Film away from the edges, just enough to fully mount Extrusions.

NOTE: Push Extrusions onto Windshield until fully seated.



CLUB CAR PRECEDENT / E-Z-GO TXT / YAMAHA DRIVE

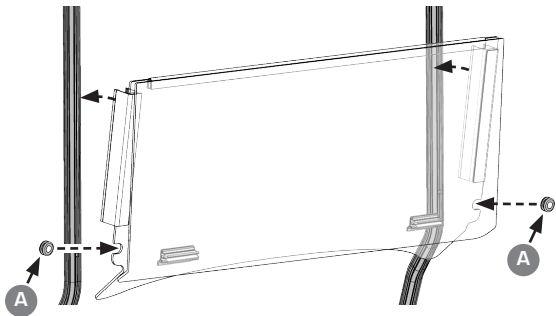


CLUB CAR DS / YAMAHA G14-22

STEP 2 INSTALL WINDSHIELD

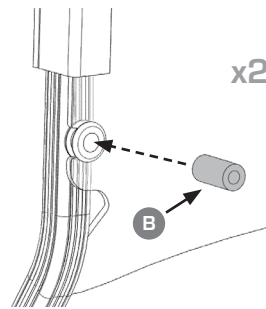
Mount Windshield to Front Frame.

NOTE: Fully tighten hardware.

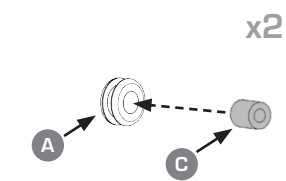
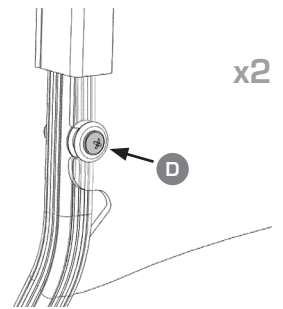


Insert grommets into slots on Windshield, then snap Extrusions & Windshield onto front frame.

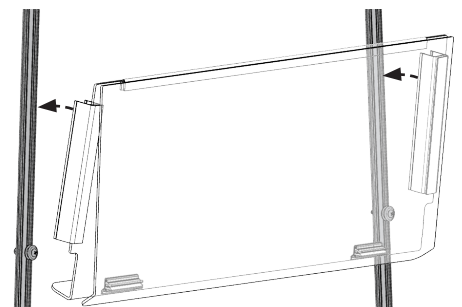
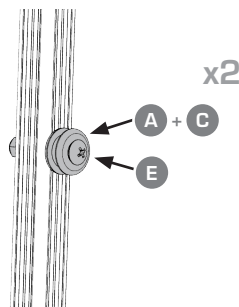
CLUB CAR PRECEDENT



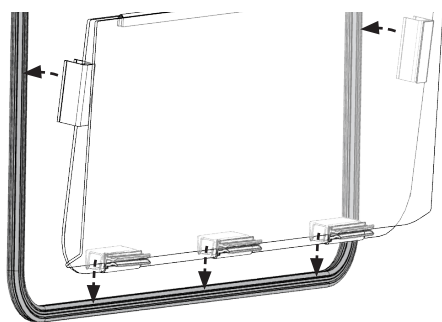
Slide Extrusion & Windshield until grommet aligns with hole in frame, then insert spacer.



E-Z-GO TXT / YAMAHA DRIVE



Snap Extrusions & Windshield onto front frame, then slide until Windshield sits on grommet.



Push in and down at the same time to snap the Extrusions & Windshield onto the front frame.

CLUB CAR DS / YAMAHA G14-22

HARDWARE - SCALE 1:1

A x2

Rubber Grommet

HARDWARE - SCALE 1:1

B x2

1-1/2" Spacer

C x2

1/2" Spacer

D x2

1/4" X 2" Truss Bolt - 1/4" Flat Washer (x2) - 1/4" Nyloc Nut

D x2

1/4" X 1-1/2" Truss Bolt - 1/4" Flat Washer (x2) - 1/4" Nyloc Nut

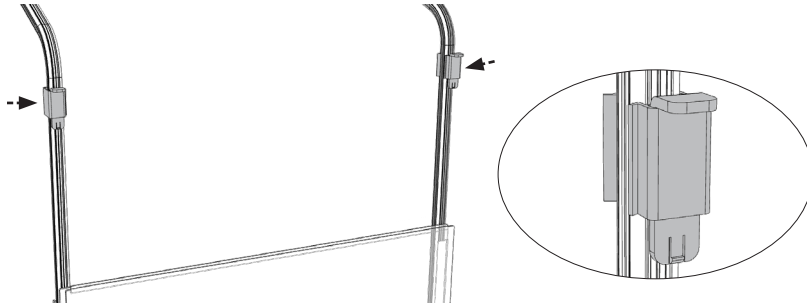
STEP

3

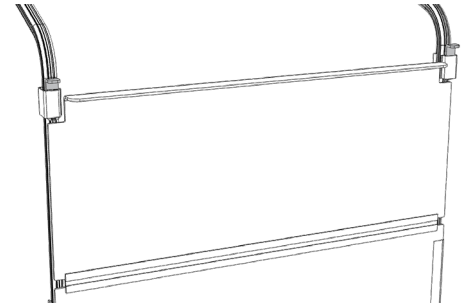
INSTALL UPPER LATCHES

Mount Upper Latches to Front Frame.

NOTE: Fully tighten hardware.



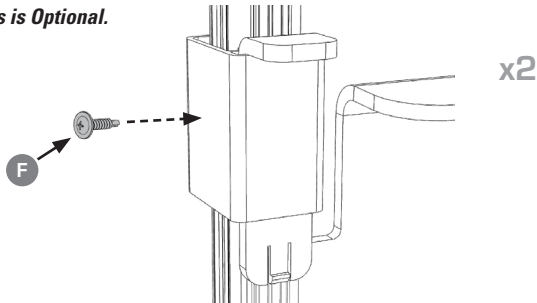
Snap Upper Latches onto front frame.



Slide Upper Latches until Windshield just clears latch when both are in upright position.

UPPER LATCH

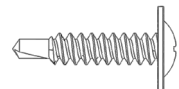
NOTE: This is Optional.



Optional: Use self-tapping screw and drill to permanently install Upper Latches.

HARDWARE - SCALE 1:1

F x2



3/4" Self Tapping Screw



(This page left blank intentionally)