

# CARGO RACK

MADE IN THE  
★USA★  
WITH PRIDE

**IMPORTANT: Do not fully tighten hardware until instructed. Read through all instructions before beginning installation.**

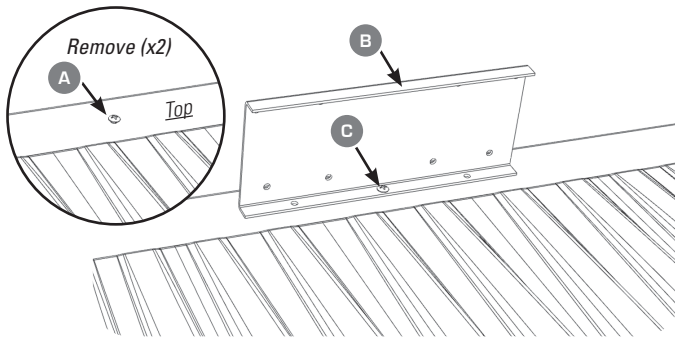
## CARGO RACK INSTALLATION - SHORT TRACK TOPS ONLY



### STEP 1 ATTACH RACK PLATE TO TOP

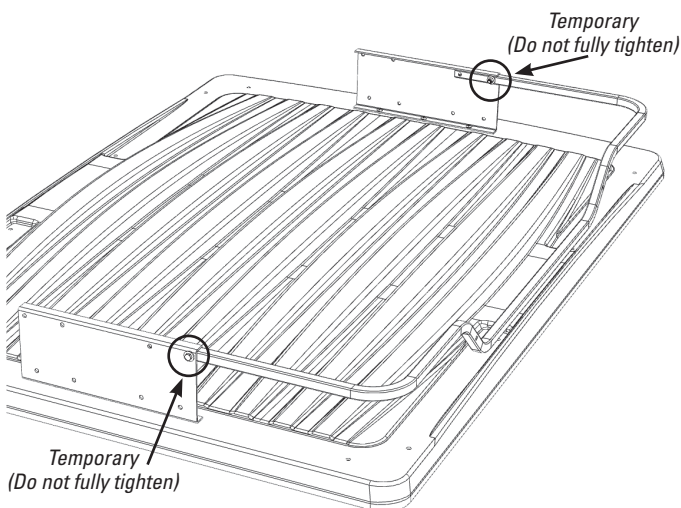
Remove Installed Screw (A) from front and rear of Top align the Center Hole on the Plate (B) with hole in Top and reinstall Screw thru Plate and Top (C). Repeat for other Plate.

**NOTE: Fully tighten Screws.**



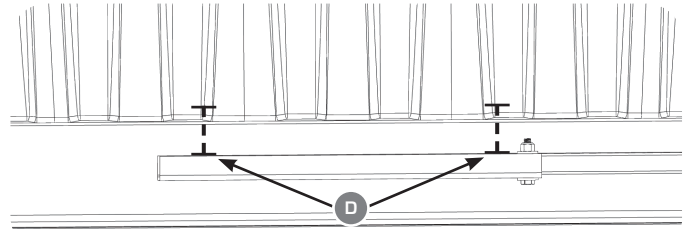
### STEP 2 ALIGN RACK PLATES TO TOP

To align Rack Plates to Top, temporarily install one Rack Rail to the top holes of both Rack Plates.



### STEP 3 DRILL & INSTALL RACK PLATE

Align Plate edges with the Rear End (flat end) of the Top. Measure from Edge of the Plate to Edge of the Top to ensure it is square (D).

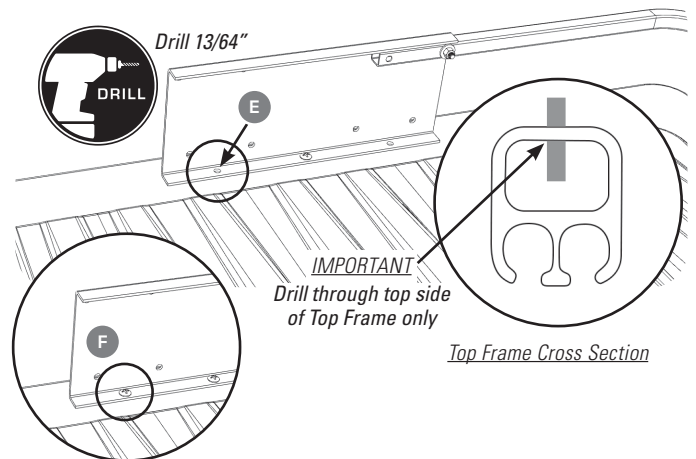


*Double check alignment by measuring from Plate to Top Edge*

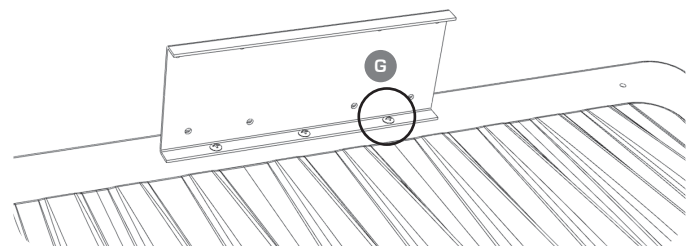
Using the hole (opposite of temporarily installed Rail) as a guide, Drill with a 13/64" bit through Top and top side of top Frame (Do not drill through bottom side of Top Frame) (E).

Install 1/4" x 3/4" Screw in newly drilled hole (F).

**NOTE: Fully tighten Screws.**



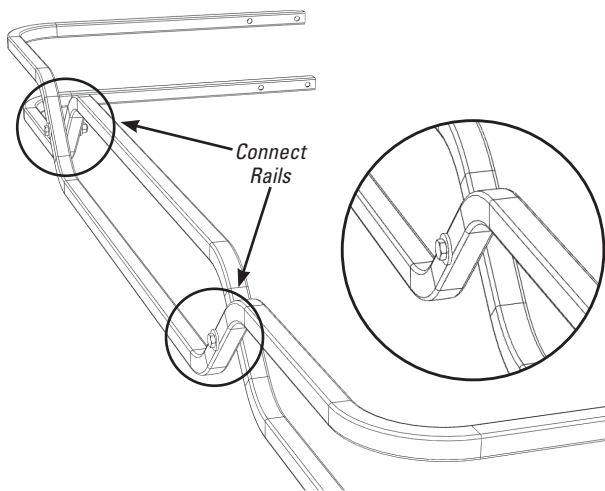
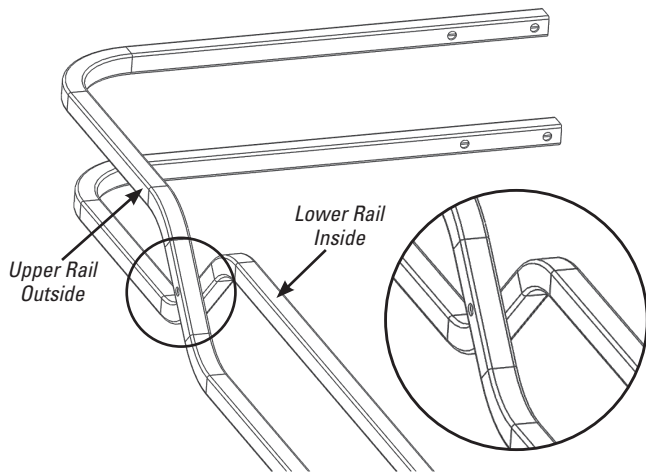
Remove temporary Rail from both Rack Plates. Drill remaining hole in both Plates and install Hardware (G).



## STEP 4 CONNECT RACK RAILS TOGETHER

Select any two Rails (all rails are the same) and position them as shown. Align the sides holes and connect with 1/4" x 2" HEX Bolt, 1/4" Washer (x2) and 1/4" Nyloc Nut. Repeat for other Side Hole.

**NOTE: Fully tighten Hardware.**

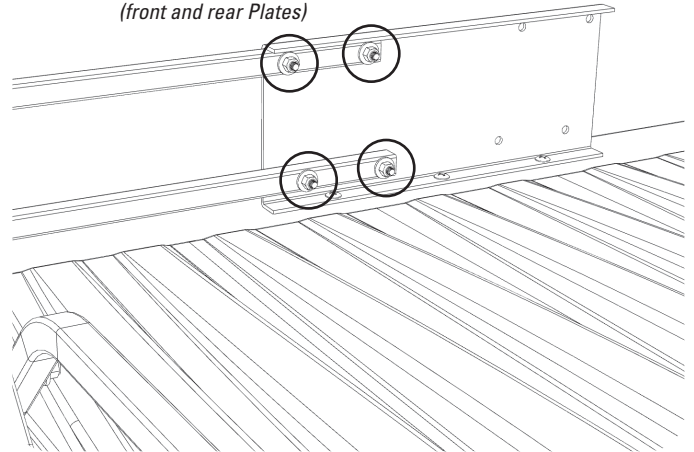


**REPEAT FOR REMAINING RAILS**

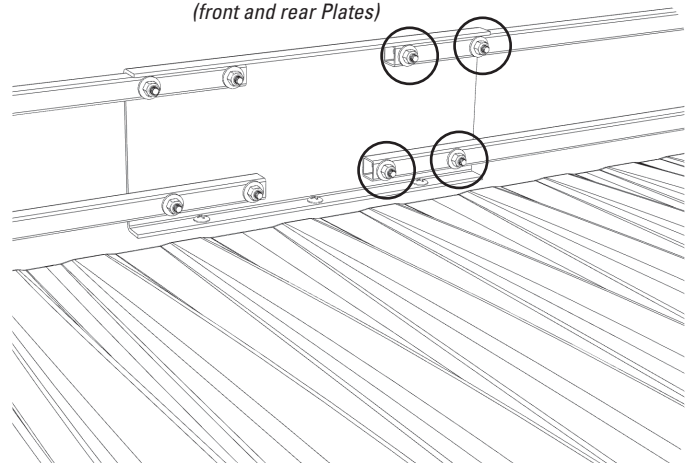
## STEP 5 MOUNT RACK RAILS TO PLATES

Insert Rack Rails between Plates. Align holes and loosely install 1/4" x 1.5" HEX Bolt, 1/4" Washer (x2) and 1/4" Nyloc Nut in all 4 holes on both Plates. Repeat for opposite side.

*Loosely attach Hardware  
(front and rear Plates)*



*Loosely attach hardware  
(front and rear Plates)*



**FULLY TIGHTEN AFTER ALL 16 BOLTS ARE INSTALLED.**