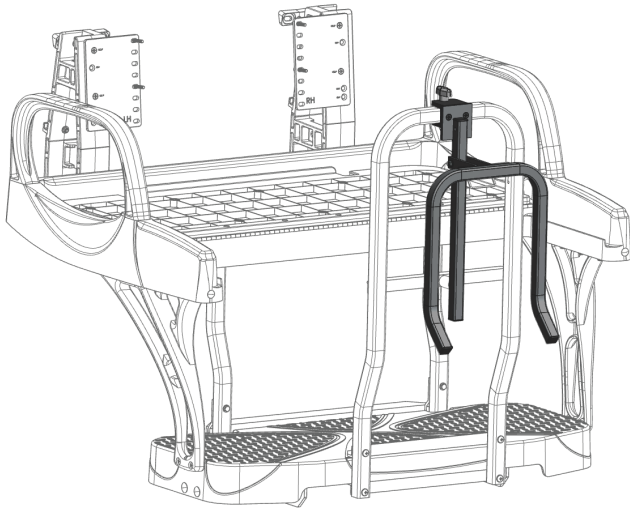


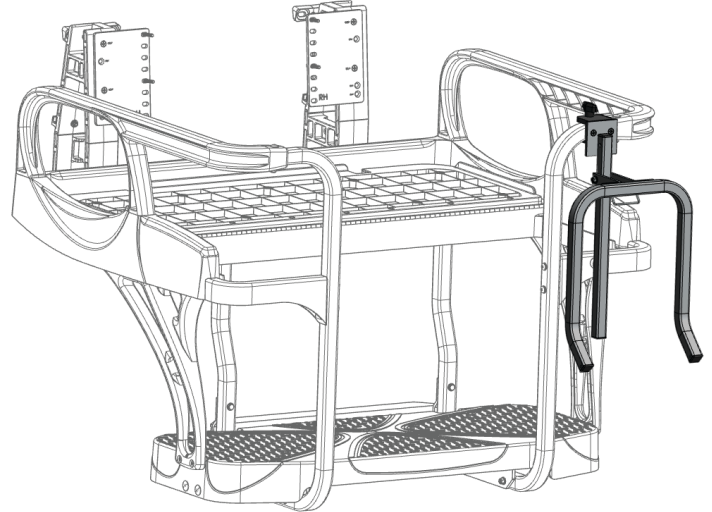
CHAIR HOLDER for MAX6 REAR SEATS

OPTIONAL ACCESSORY (Sold Separately)

MAX6 CRUZ W/ SAFETY BAR



MAX6 HELIX



STEP 1.1 DETERMINE WHERE TO INSTALL BUMPER

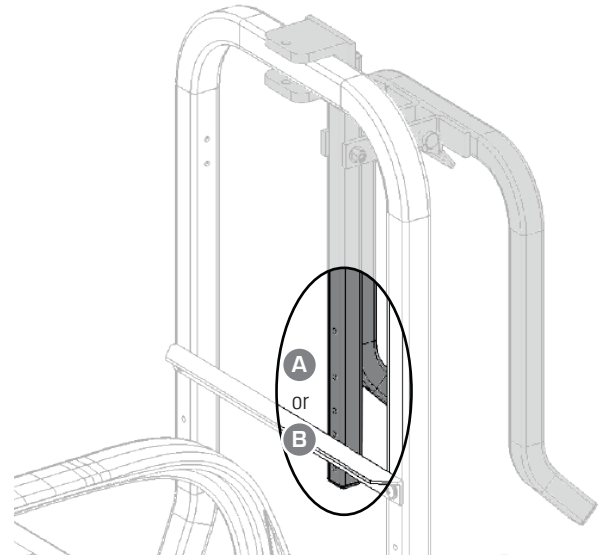
Remove T-Handle screw from U-block and push the assembly onto the upper part of Cruz safety bar or Helix arm rest. Visually determine which hole lines up with the crossbar on the Cruz safety bar or the Helix lower arm rest.

STEP 1.2 INSTALL BUMPER

Attach the bumper to the chair holder using (A) for Helix or Cruz Heavy-Duty Safety Bar or (B) for Cruz Regular Safety Bar.

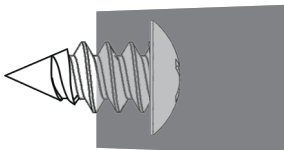
STEP 1.3 INSTALL CHAIR HOLDER

Slide U-Block over tubing where indicated and secure by tightening the T-Handle Screw.



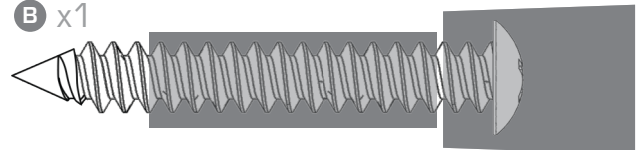
HARDWARE - SCALE 1:1

(A) x1



#14 X 3/4" Sheet Metal Screw - 1" Bumper

(B) x1



1/4" X 2-1/2" Sheet Screw - 1-1/2" Spacer - 1" Bumper