

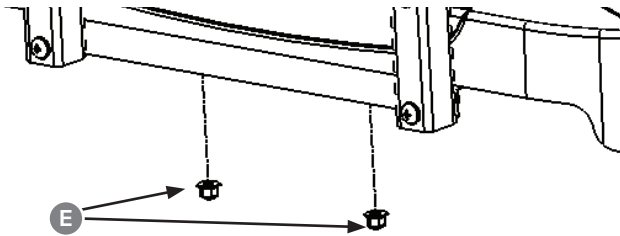
## TRAILER HITCH for MAX6 REAR SEATS

OPTIONAL ACCESSORY (Sold Separately)

### STEP 1.1 SAFETY BAR PREPARATION - CRUZ WITH SAFETY BAR

If you are installing on a Max6 Cruz with a Safety Bar, remove the washers and nylock nuts from the bottom of the Safety Bar assembly.

MAX6 CRUZ WITH SAFETY BAR



Remove Nuts & Washers from Safety Bar  
(Save for reuse and leave Bolts inserted)

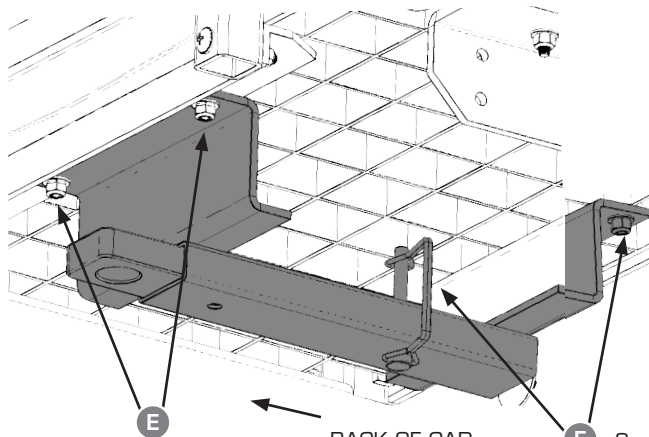
MAX6 HELIX • MAX6 CRUZ WITHOUT SAFETY BAR

Skip to step 1.2

### STEP 1.2 HITCH INSTALLATION

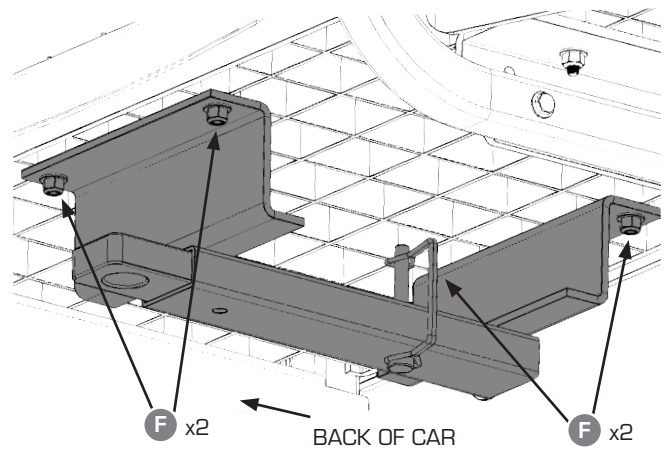
**NOTE:** Fully tighten **ALL** Hardware in the assembly.

MAX6 CRUZ WITH SAFETY BAR



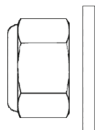
Mount to Bolts from Safety Bar  
(Reuse Hardware removed in Step 1.1)

MAX6 HELIX • MAX6 CRUZ WITHOUT SAFETY BAR



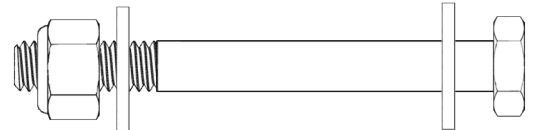
#### HARDWARE - SCALE 1:1

E x2



Removed Washer & Nylock Nut from Safety Bar

F x2 / x4



1/4" X 2-1/2" Hex Bolt - 1/4" Flat Washer - 1/4" Nyloc Nut