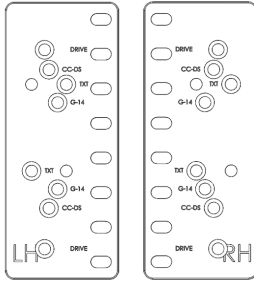




SEAT BACK PLATES

UNIVERSAL SEAT HEIGHT ADJUSTMENTS

MADE IN THE
★ USA ★
WITH PRIDE



UNIV SPL-1 KIT

Club Car DS 2000+ (C2)
EZGO TXT (TX)
Yamaha Drive

IMPORTANT: Do not fully tighten hardware until instructed.
Read through all instructions before beginning installation.

SEAT BACK PLATES INSTALLATION

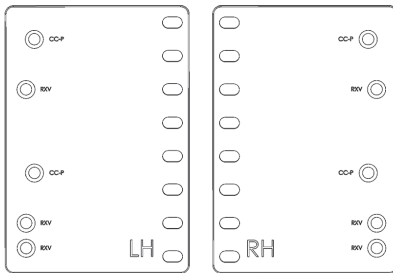
TABLE OF CONTENTS:

- Step 1** - 2-Passenger Plate Installation (For Star see pg 4)
- Step 2** - 4-Passenger Plate Installation (For Star see pg 4)
- Cushion installation** - Cushion installation

PREPARE CAR FOR INSTALLATION:

- 2P: Remove Factory Cushions
- 4P: Remove Top, Rear Frames and Seat Back Support/Sweater Basket Assembly. Install DoubleTake® Rear Seat Kit.

NOTE: Save original Hardware for later use.



UNIV SPL-2 KIT

Club Car Precedent (PD)
EZGO RXV (RX)

NOTE: For Star mounting, see pg 4.

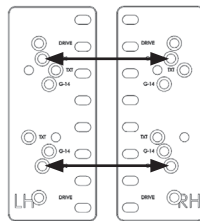
2 PASSENGER PLATE INSTALLATION

For 4-Passenger installation, skip to Page 3

Club Car DS 2000+ / 2-Passenger Factory Support

Attach the Seat Back Plates to the Seat Back Supports using a 1/4" x 1-3/4" FHP Bolt, a 1/4" Flat Washer (back), and a 1/4" Nyloc Nut (2x both sides through holes marked CC-DS).

NOTE: Fully tighten Bolts.



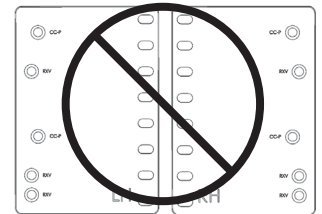
Club Car DS



PROCEED TO CUSHION INSTALLATION

Club Car Precedent / 2-Passenger Factory Support

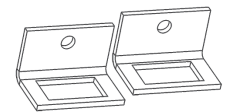
NOTE: The Seat Back Plates do not work with Precedent Factory Seat Back Supports.



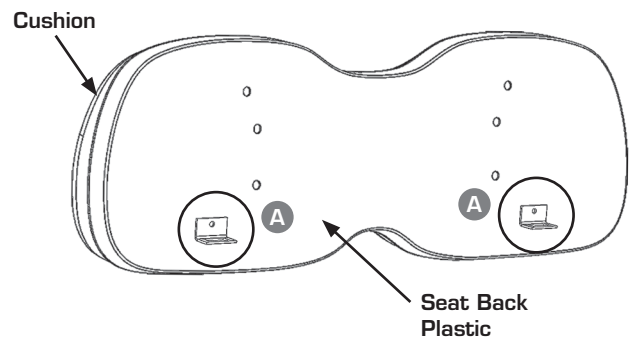
DoubleTake® Seat Back Cushion Install (Factory Seat Back Supports)

Install Mounting Clips to the cushion back where indicated (A). Mount Seat Back Cushion to factory seat back supports the same way the factory cushion mounts.

NOTE: Fully tighten Bolts.



Precedent Mounting Clips

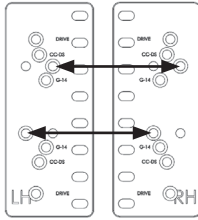


2 PASSENGER PLATE INSTALLATION

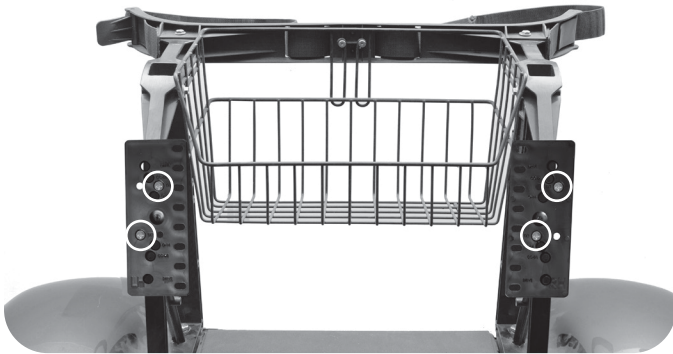
E-Z-GO TXT / 2-Passenger Factory Support

Attach the Seat Back Plates to the Seat Back Supports using 1/4" x 1-3/4" FHP Bolt, 1/4" Flat Washer (back), and 1/4" Nyloc Nut (2x both sides – through holes marked TXT).

NOTE: Fully tighten Bolts.



EZGO TXT

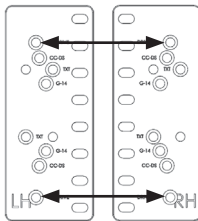


PROCEED TO CUSHION INSTALLATION

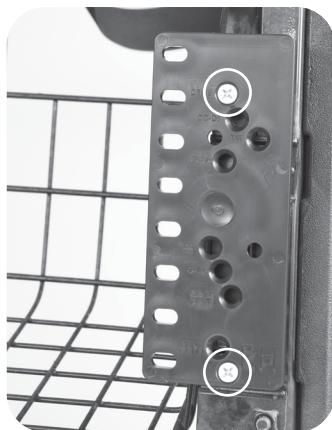
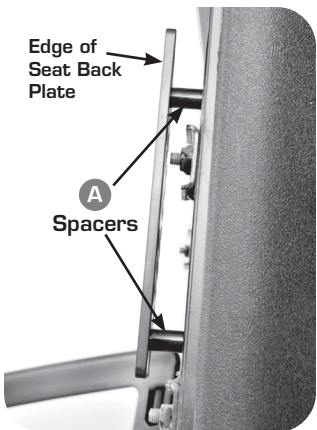
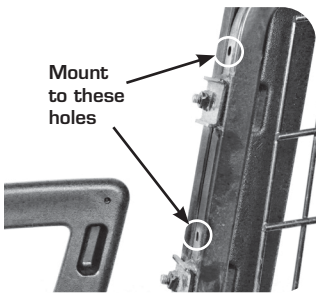
Yamaha Drive / 2-Passenger Factory Supports

Attach the Seat Back Plates to the Seat Back Supports using 1/4" x 2-1/4" FHP Bolt, Black Spacer (A), 1/4" Flat Washer (back), and 1/4" Nyloc Nut (2x both sides – through holes marked Drive).

NOTE: Fully tighten Bolts.



Yamaha Drive

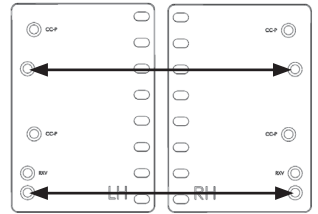


PROCEED TO CUSHION INSTALLATION

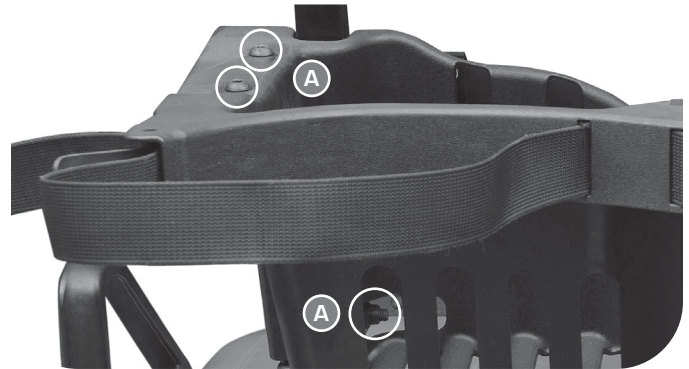
E-Z-GO TXT / 2-Passenger Factory Support

Temporarily remove the Bag Holder/Sweater Basket Assembly from the Seat Back Supports by removing the 6 Bolts (3 Bolts each side) as shown below (A).

NOTE: Keep Hardware for reinstall.

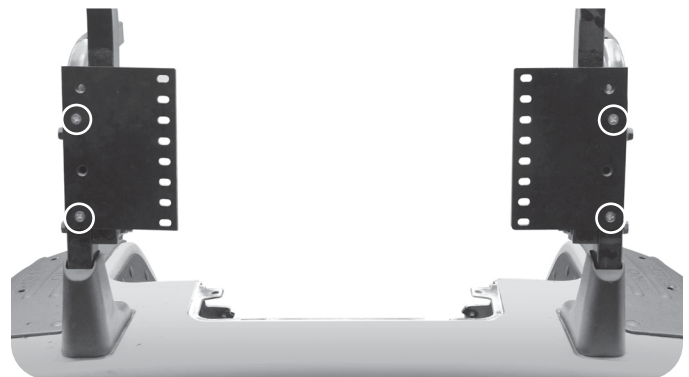


EZGO RXV



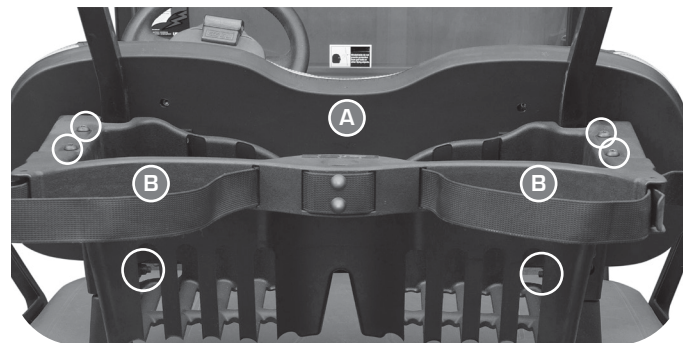
Attach the Universal Seat Back Plates to the Seat Back Supports using 1/4" x 1-3/4" FHP Bolt, 1/4" Flat Washer, and 1/4" Nyloc Nut (2x both sides – through top and bottom holes marked RXV).

NOTE: Fully tighten Hardware.



Install Seat Back Cushion (A) to Seat Plates (see Cushion installation for example). Then, complete your installation by reinstalling the Bag Holder/Sweater Basket Assembly using the factory hardware (B).

NOTE: Fully tighten allBolts.



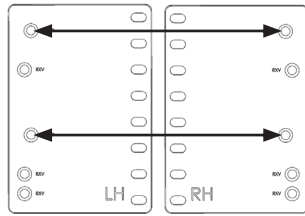
INSTALLATION IS COMPLETE

4 PASSENGER PLATE INSTALLATION

Club Car Precedent / 4-Passenger DoubleTake Supports

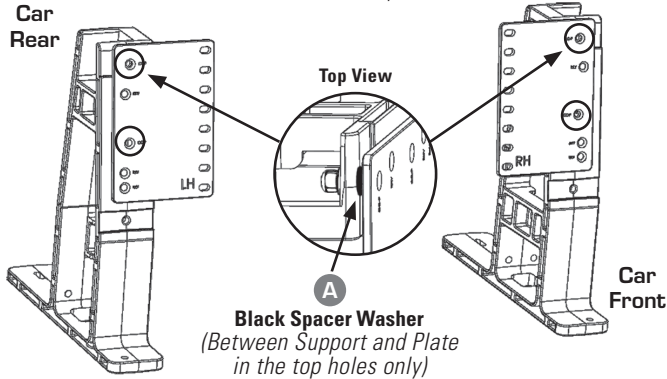
Attach the Seat Back Plates to the front of the Seat Back Supports through top holes marked CC-P using 1/4" x 1-1/4" FHP Bolt, Black Spacer Washer (A), 1/4" Flat Washer (back), and 1/4" Nyloc Nut. Repeat for other side.

For the bottom holes marked CC-P use 1/4" x 1-1/4" FHP Bolt, 1/4" Flat Washer (back), and 1/4" Nyloc Nut.



Club Car Precedent

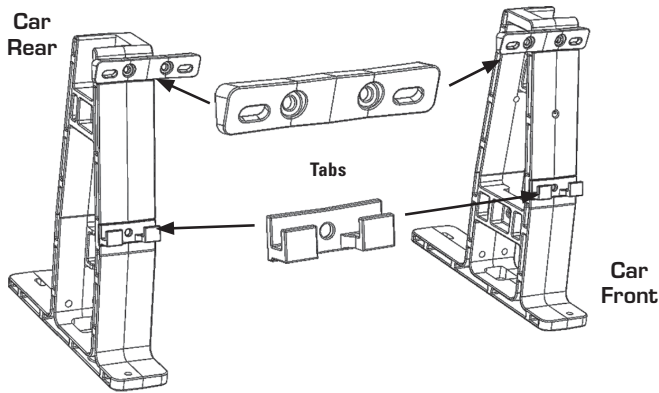
DoubleTake® Seat Back Cushion Install (Use Seat Back Plates with spacer washers)



Black Spacer Washer
(Between Support and Plate
in the top holes only)

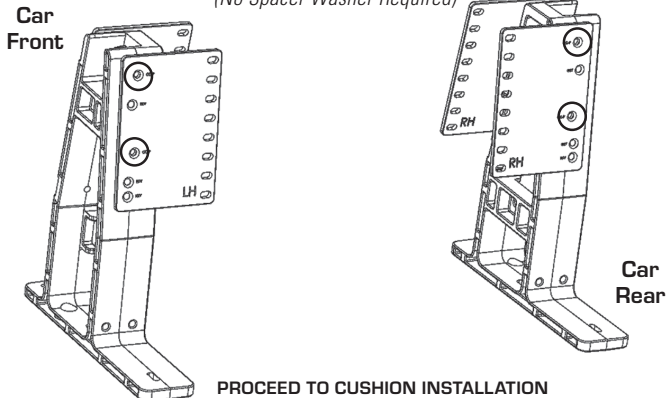
Factory Seat Back Cushion Install

(Use Precedent Tab Set - Seat Back Plates not required)



Attach the Seat Back Plates to the rear Seat Back Supports using 1/4" x 1-1/4" FHP Bolt, 1/4" Flat Washer (back), and 1/4" Nyloc Nut (2x both sides through holes marked CC-P).

Rear Seat Back Plate Install (No Spacer Washer Required)

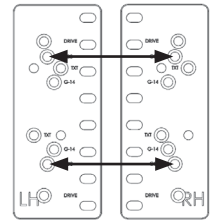


PROCEED TO CUSHION INSTALLATION

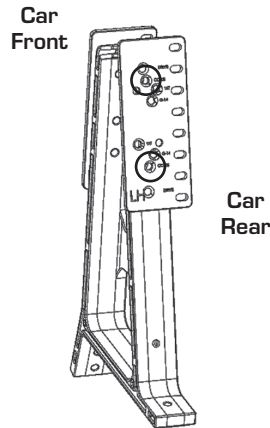
Club Car DS 2000+ / 4-Passenger DoubleTake Supports

Attach the Seat Back Plates to the Seat Back Supports (front and back) using 1/4" x 1-1/4" FHP Bolt, 1/4" Flat Washer (back), and 1/4" Nyloc Nut (2x both sides – through holes marked CC-DS).

NOTE: Repeat for Seat Back Plates on opposite side of supports. Fully tighten Bolts.



Club Car DS

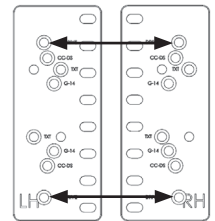


PROCEED TO CUSHION INSTALLATION

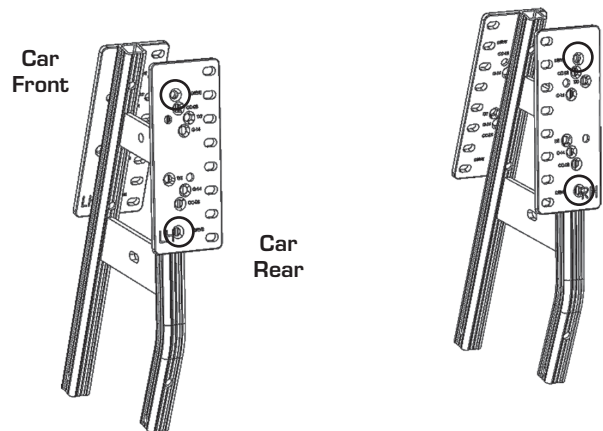
Yamaha Drive / 4-Passenger DoubleTake Supports

Attach the Seat Back Plates to the Seat Back Supports using 1/4" x 2-1/4" FHP Bolt, 1/4" Flat Washer (back), and 1/4" Nyloc Nut (2x both sides – through holes marked Drive).

NOTE: Black Spacers (4) are for installing on Factory Seat Back Supports only (2-passenger). Fully tighten Bolts.



Yamaha Drive
Front & Rear



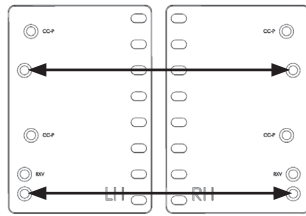
PROCEED TO CUSHION INSTALLATION

4 PASSENGER PLATE INSTALLATION

E-ZGO RXV / 4-Passenger DoubleTake Supports

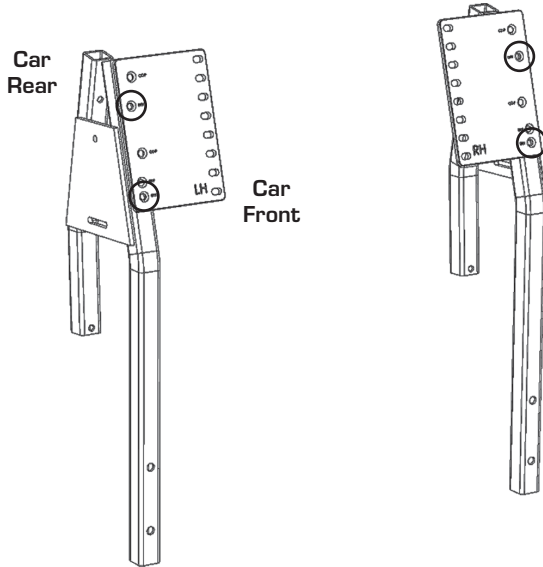
Attach the front Seat Back Plates to the Seat Back Supports using a 1/4" x 1-3/4" FHP Bolt, a 1/4" Flat Washer (back), and a 1/4" Nyloc Nut (2x both sides – through top and bottom holes marked RXV).

NOTE: Fully tighten Bolts.



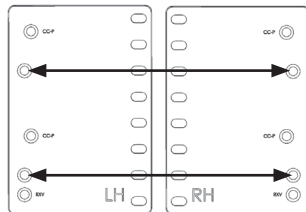
EZGO RXV Front

Front Seat Back Plate Install



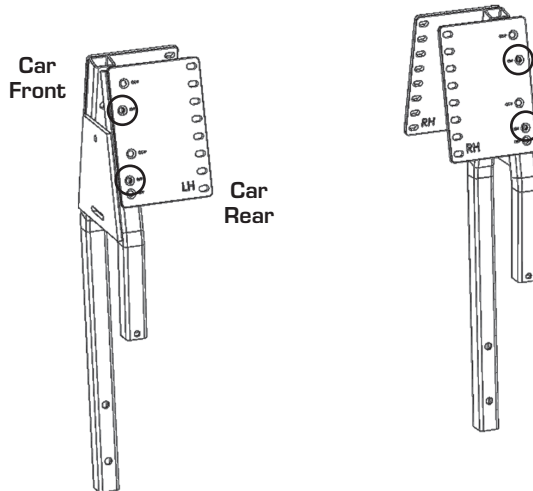
Attach the Rear Seat Back Plates to the Seat Back Supports using a 1/4" x 1-3/4" FHP Bolt, a 1/4" Flat Washer (back), and a 1/4" Nyloc Nut (2x both sides – through the upper set of holes marked RXV).

NOTE: Fully tighten Bolts.



EZGO RXV Rear

Rear Seat Back Plate Install

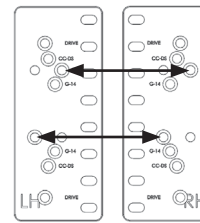


PROCEED TO CUSHION INSTALLATION

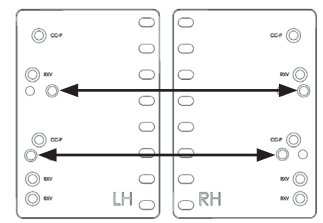
E-ZGO TXT / Star / 4-Passenger DoubleTake Supports

Attach the Front Seat Back Plates to the Seat Back Supports using a 1/4" x 1-3/4" FHP Bolt, a 1/4" Flat Washer (back), and a 1/4" Nyloc Nut (2x both sides – through holes marked TXT).

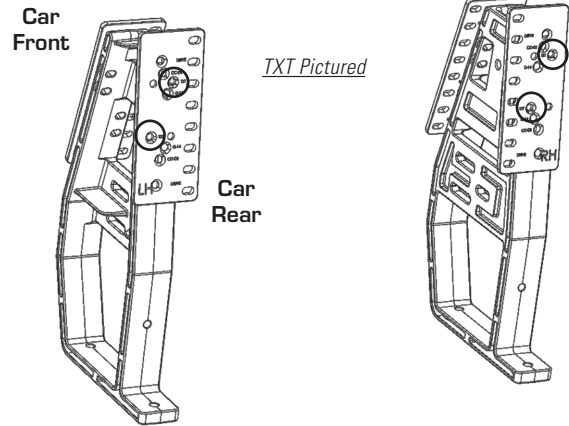
NOTE: Repeat for Seat Back Plates on opposite side of supports. Fully tighten Bolts.



EZGO TXT Front & Rear



Star Front & Rear
(Holes are not labeled)



PROCEED TO CUSHION INSTALLATION

SEAT BACK CUSHION INSTALLATION

All Car Models

Mount the Seat Back Cushions to the Seat Back Plates (Club Car Precedent shown as example). Install the Threaded Studs (4) into the Seat Back Cushion where indicated (A). Determine the Seat Back Cushion height preferred and mount Cushion to Seat Back Plates thru corresponding slotted holes (B). Secure the Cushion using a 1/4" Flat Washer and a 1/4" Nyloc Nut (2x both sides). Repeat for opposite Seat Back Cushion.

NOTE: Fully tighten all Bolts.

